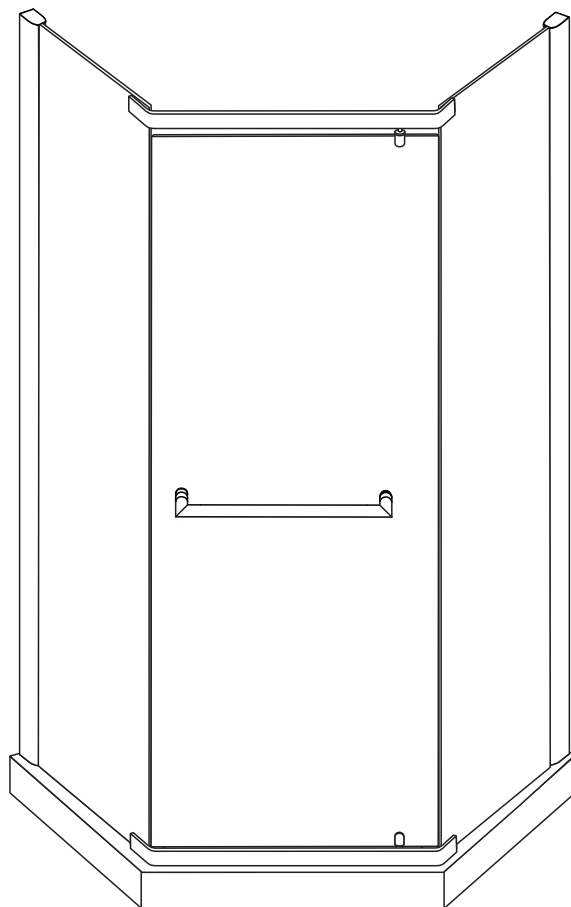


LINDA SHOWER DOOR

Installation Instructions



GD-LI3672

Size:36" x36" x72" EN(GD-LI3672)

◆ General Information

Please inspect the product immediately upon receipt for transit damage, missing packs/parts or manufacturing fault. Damage reported later cannot be accepted. Please handle the product with care avoiding knocks and shock loading to all sides and edges of the glass.

Notes: Safety glass can not be re-worked.

Please read these instructions carefully before start of installation.

Special care should be taken when drilling walls to avoid hidden pipes or electrical cables.

Note: This product is heavy and may require two people to install.

Aftercare instructions

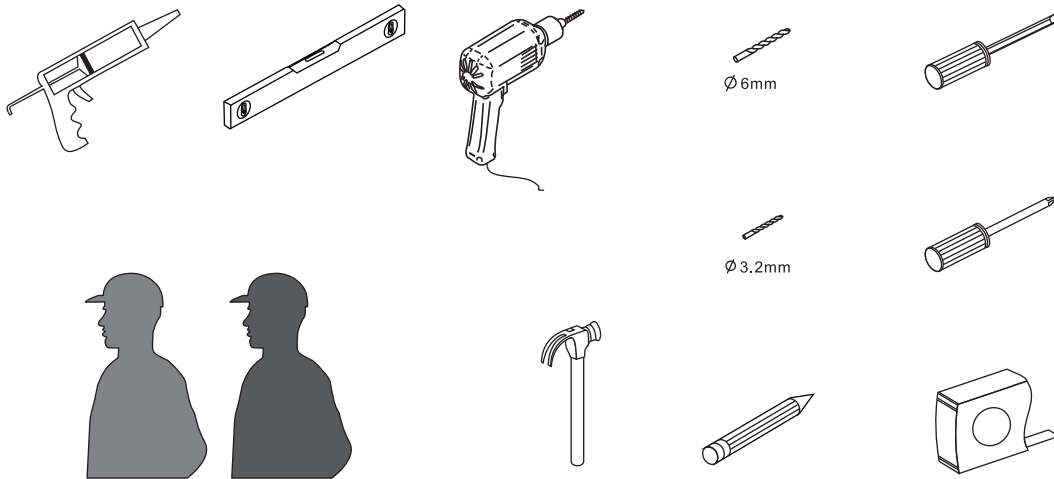
After use, your shower should be cleaned with soap and water. This is particularly important in hard water districts where insoluble lime salts may be deposited and allowed to build up.

Cleaners of a gritty or abrasive nature should not be used. Care should be taken to avoid contact with strong chemicals such as organic solvents and strippers.

Glass cleaners can be used but with caution, if in doubt contact the manufacturer of the cleaner in question.

Please keep these instructions for aftercare and customer service details.

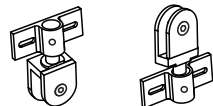








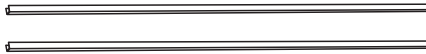


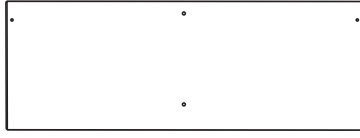
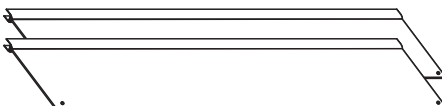
Tools Required



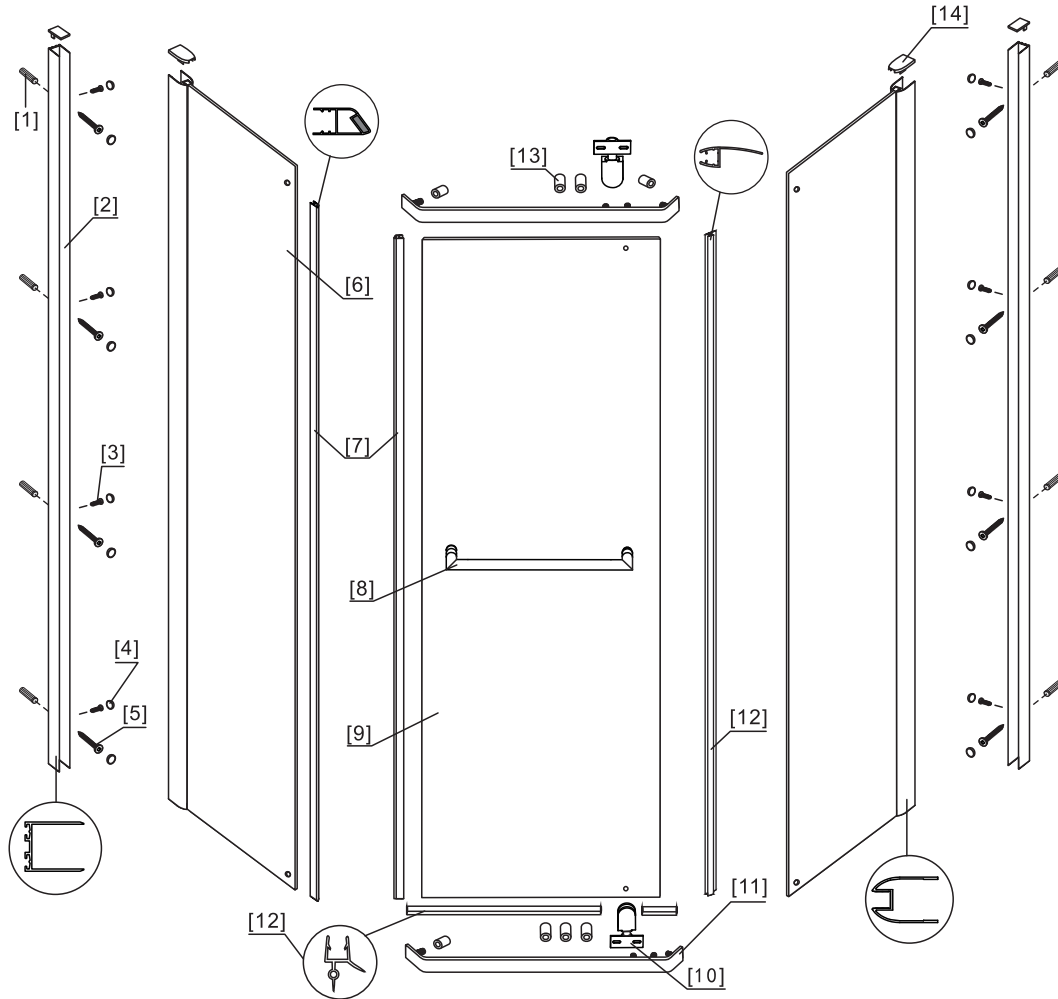
This product is heavy and may require two people to install.



◆ Box Contents:

<p>[1] 2xHinges</p>	<p>➔</p>	
<p>[2] 1xInstallation Instruction</p>	<p>➔</p>	
<p>[3] 1xHandle Set.</p>	<p>➔</p>	
<p>[4] 8xWall Plugs. 8xScrews M4x35. 8xScrew Cover Caps.</p>	<p>➔</p>	
<p>[5] 8xScrews M4x10. 8xScrew Cover Caps.</p>	<p>➔</p>	
<p>[6] 4xProfile Covers.</p>	<p>➔</p>	
<p>[7] 3xWater Deflectors</p>	<p>➔</p> 	
<p>[8] 2xMagnetic Seals</p>	<p>➔</p> 	
<p>[9] 2xHorizontal Rails 8xNuts</p>	<p>➔</p>	
<p>[10] 2xWall Posts</p>	<p>➔</p>	
<p>[11] 1xDoor Panel</p>	<p>➔</p>	
<p>[12] 2xFixed Panels</p>	<p>➔</p>	

◆ Assembly Drawing

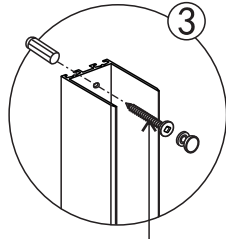
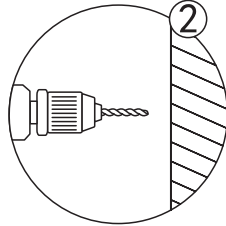
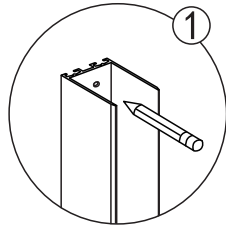


- [1] 8xWall Plugs
- [2] 2xWall Posts
- [3] 8xScrews M4x10
- [4] 8xScrew Cover Caps
- [5] 8xScrews M4x35
- [6] 2xFixed Panels
- [7] 2xMagnetic Seals

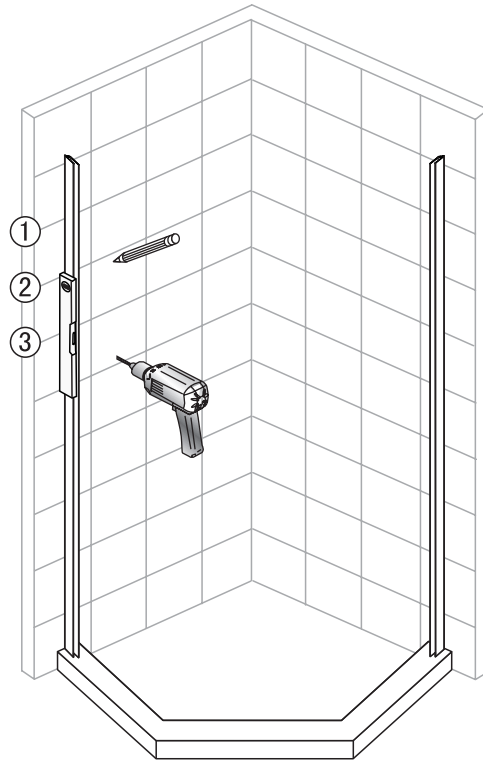
- [8] 1xHandle Set
- [9] 1xDoor Panel
- [10] 2xHinges
- [11] 2xHorizontal Rails
- [12] 3xWater Defectors
- [13] 8xNuts
- [14] 4xProfile Covers

◆ Installation Steps

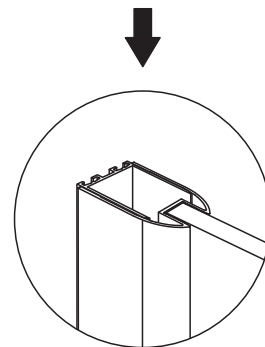
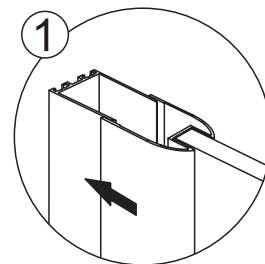
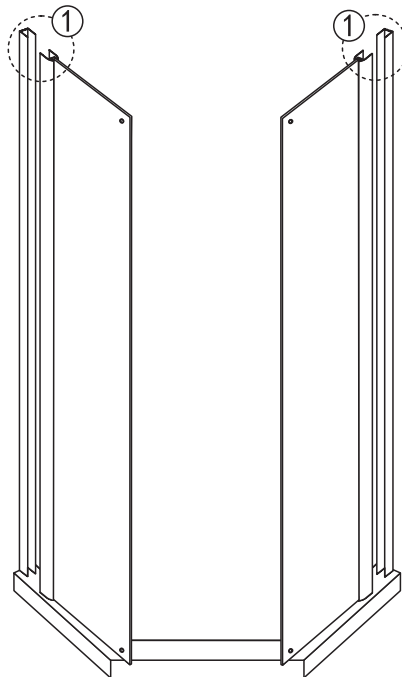
Step 1



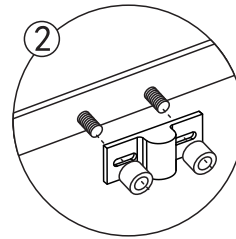
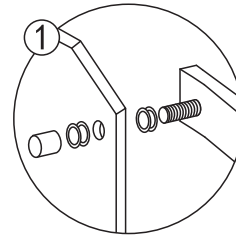
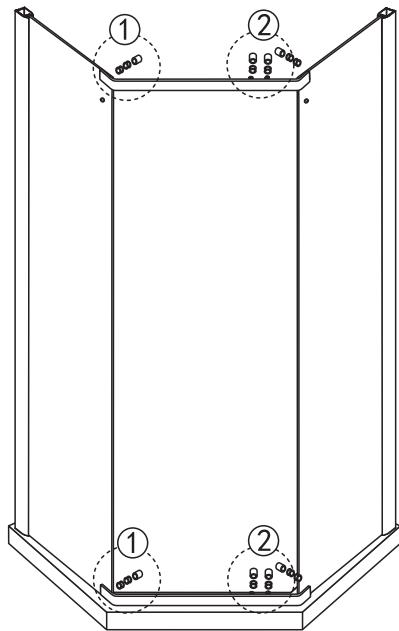
Screw M4x35



Step 2

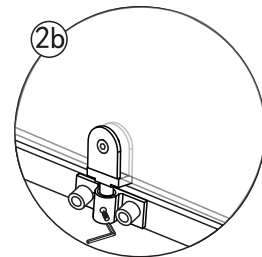
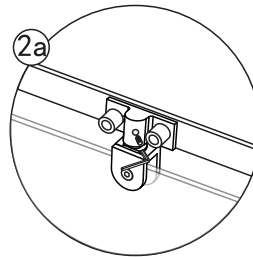
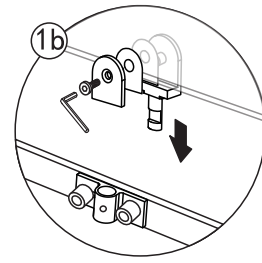
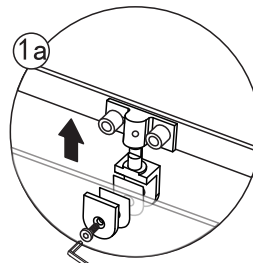
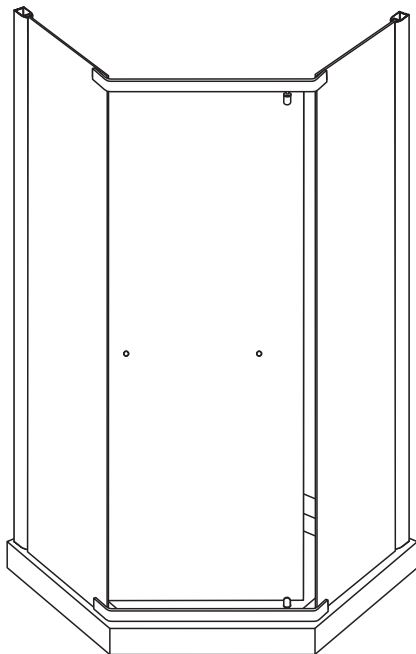


Step 3



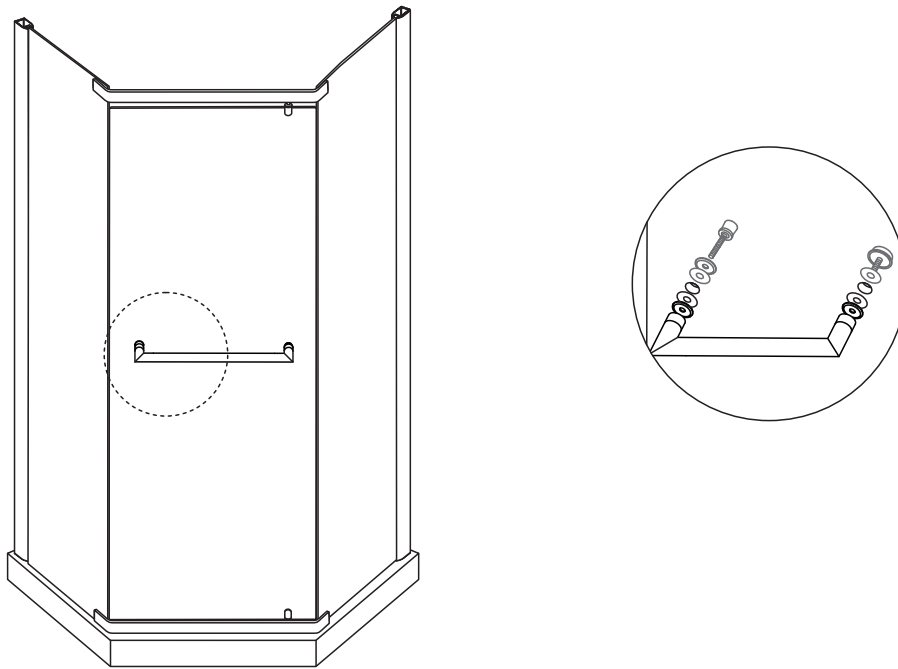
View from inside

Step 4

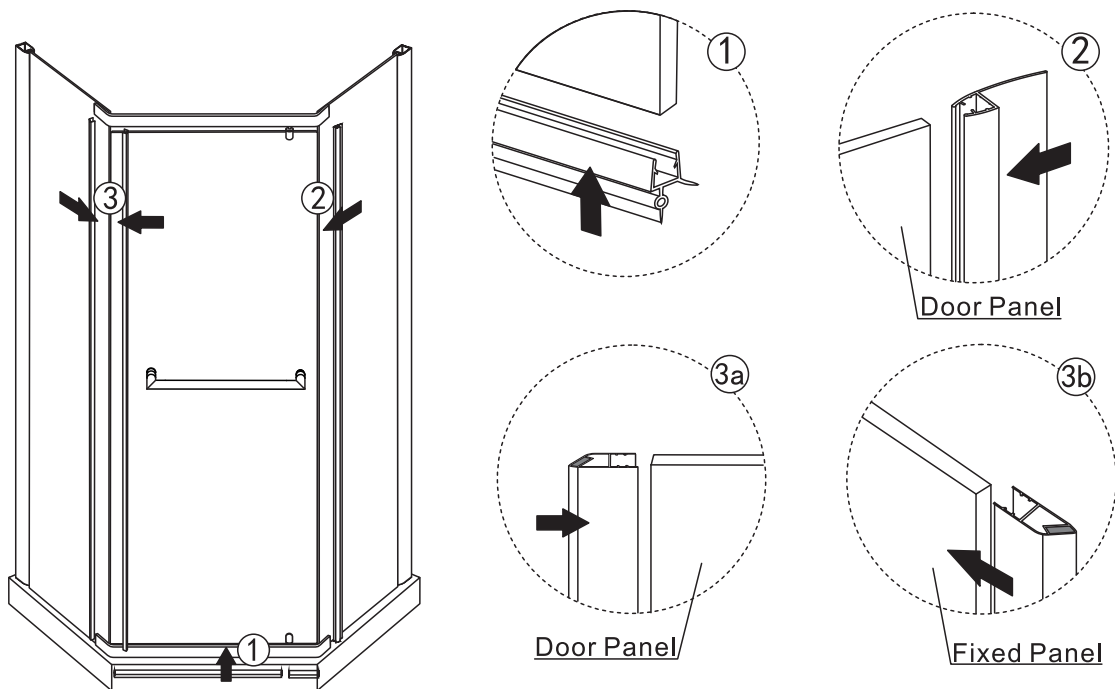



View from inside

Step 5

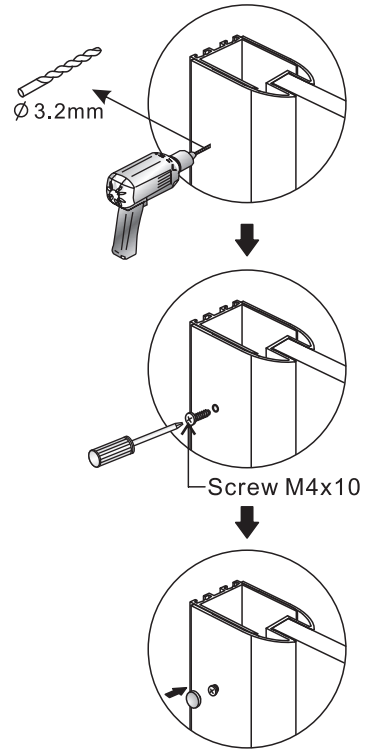
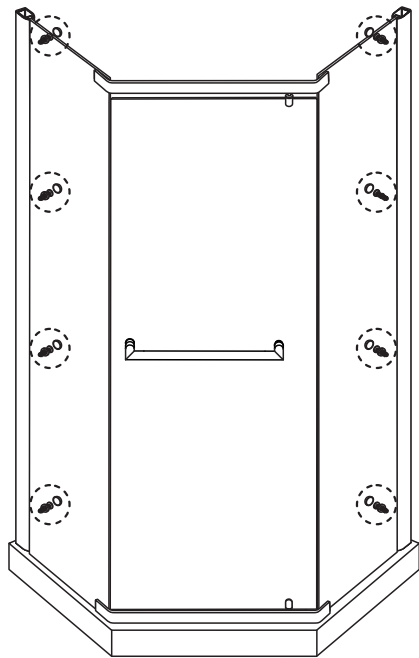


Step 6



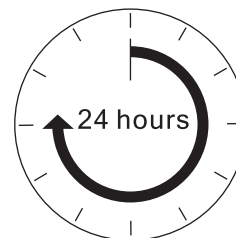
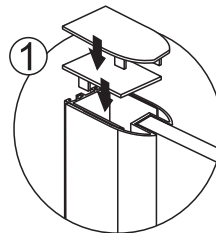
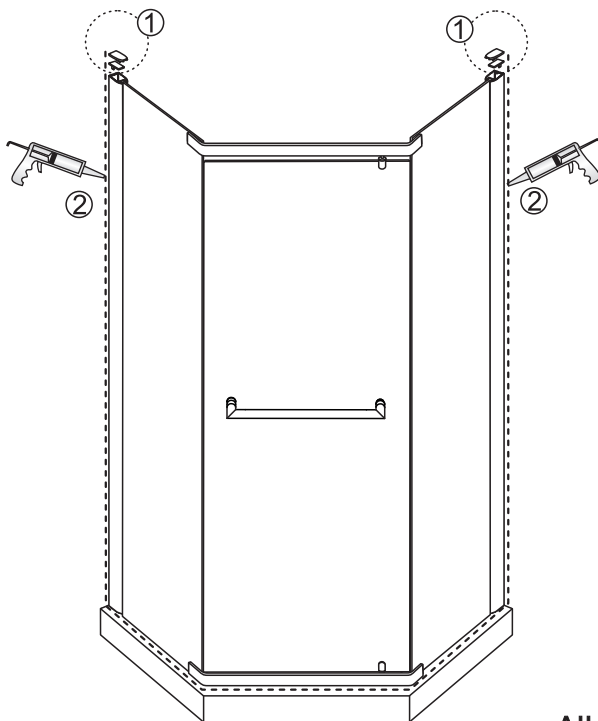
 Ensure wall profiles are plumb.
Adjust enclosure to be square and level.
Wheels should be adjusted to square the doors and ensure smooth running.

Step 7



View from inside

Step 8



Allow 24 hours for silicone to dry before use.



QUALITY AND SERVICE YOU CAN COUNT ON SINCE 1985

For over 33 years, Nerval Corporation has been importing, wholesaling and manufacturing a wide variety of products. Wholesale only, we sell to retail stores, hotels, contractors and builders. If you require high quality products at truly affordable prices, contact us

Tel: 780 452 1111 | Email: info@nervalcorp.com | www.nervalcorp.com

NERVAL is a registered trade mark of NERVAL Corporation

Copyright © 2018